

# SOD-523 SCHOTTKY BARRIER DIODE

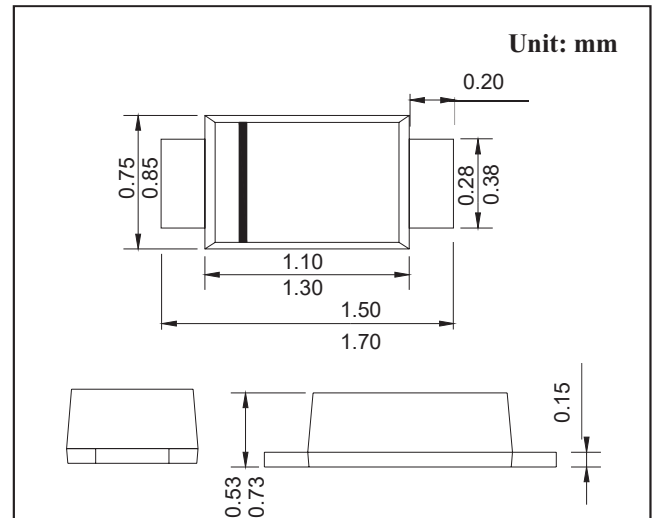
VOLTAGE RANGE: 30V PEAK PULSE POWER:150mW

## FEATURES

- Low Forward Voltage Drop
- Guard Ring Construction for Transient
- Protection Negligible Reverse Recovery Time
- Very Low Reverse Capacitance

## MECHANICAL DATA

- Case: SOD-523 Small Outline Plastic Package
- Polarity: Color band denotes cathode end
- Mounting Position: Any



## MAXIMUM RATINGS AND CHARACTERISTICS

@ 25°C Ambient Temperature (unless otherwise noted)

Parameter	Symbol	Limit	Unit
DC reverse voltage	VR	30	V
Mean rectifying current	IO	200	mA
Non-repetitive Peak forward surge current @ t=8.3ms	IFSM	1	A
Power dissipation	PD	150	mW
Thermal Resistance Junction to Ambient	R $\theta$ JA	667	°C/W
Junction temperature	Tj	125	°C
Storage temperature	Tstg	-55~+150	°C

## Electrical Specification (TA=25°C unless otherwise specified)

Parameter	Symbol	Min	Typ	Max	Unit	Conditions
Forward voltage	VF1			0.35	V	IF=10mA
	VF2			0.5	V	IF=200mA
Reverse current	IR			30	μA	VR=10V

MARKING: C

## RATINGS AND CHARACTERISTIC CURVES

